



KADRIUM



SĒSAME

INTERFONCTION

PRODUCT LINES

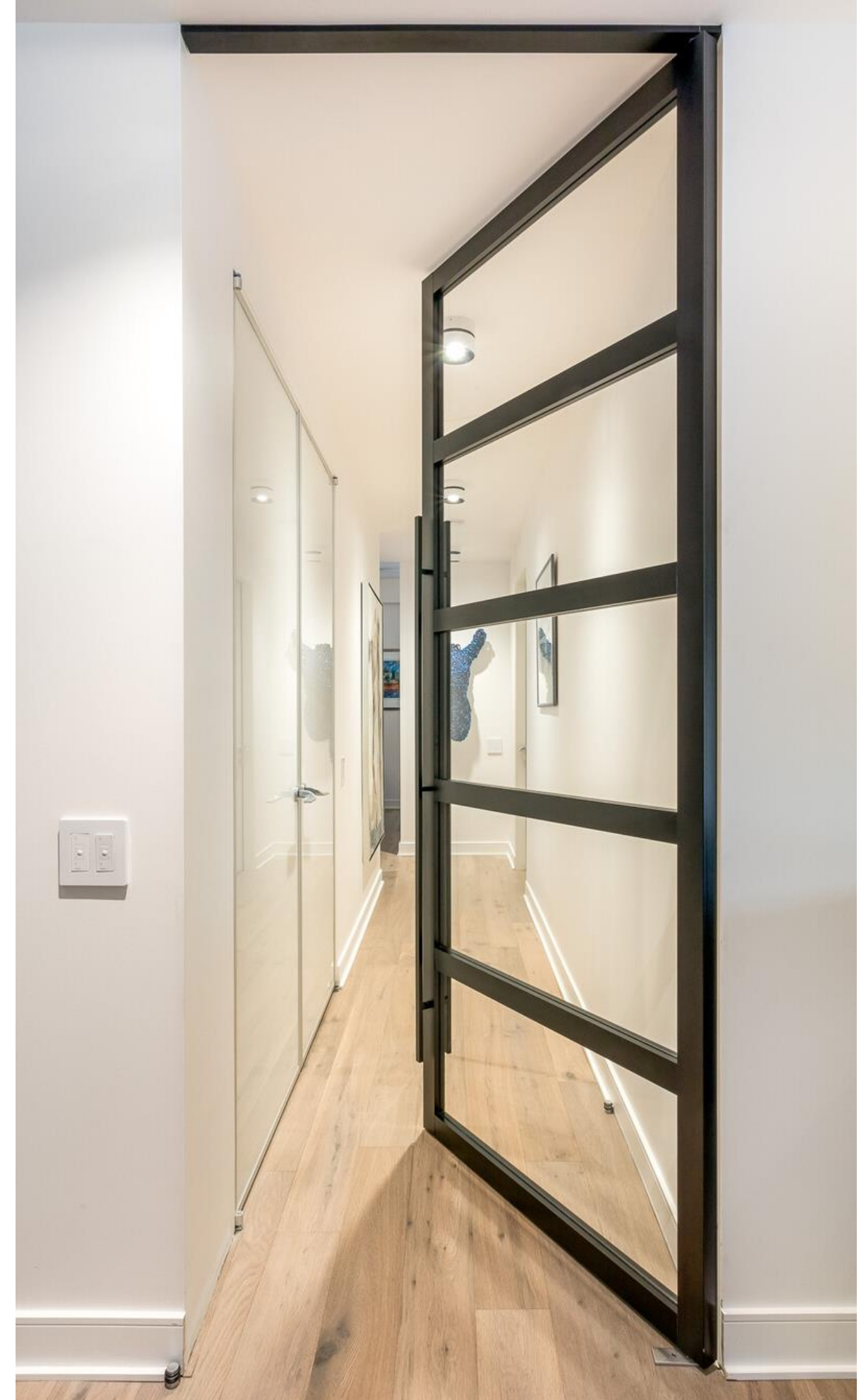
- Aluminum Framed Sliding/Folding/Pocket Doors;
- Aluminum Framed Pivot/Swinging Doors;
- Fixed Aluminum/Glass Partitions;
- Aluminum Framed Cabinetry Doors;
- Aluminum Tambour Doors;
- Aluminium Structures (KUBX);
- Glass (Regular, Tempered, Laminated).



KADRIUM
— INTERFONCTION




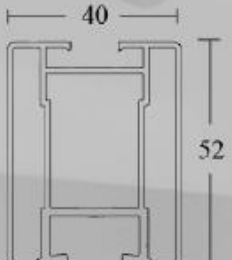
SĒSAME
— INTERFONCTION




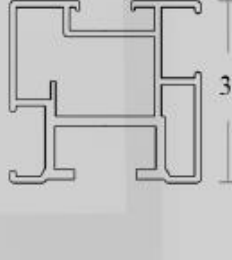
SLIDING DOORS




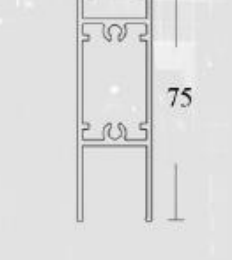
KADRIUM SUSPENDED SLIDING DOORS



Optimum - Handle profile
Available in anodized aluminum or lacquered black.
Integrated handle available.

Magnum - Handle Profile
Available in anodized aluminum or lacquered black.

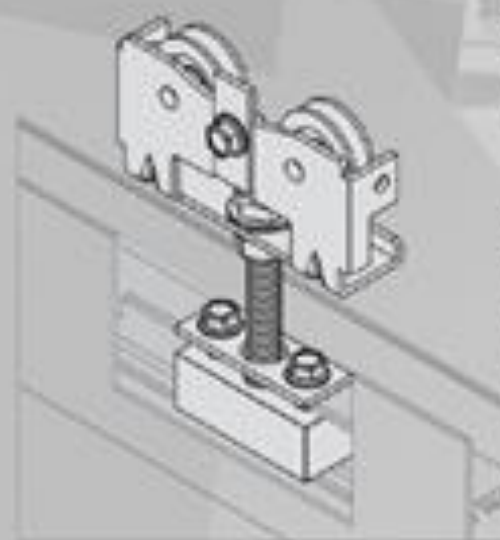



Horizontal profile
Top and bottom horizontal profile.

Divider profile
Horizontal divider profile.

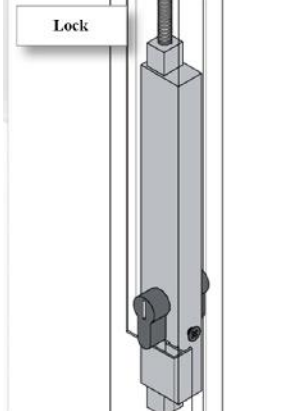
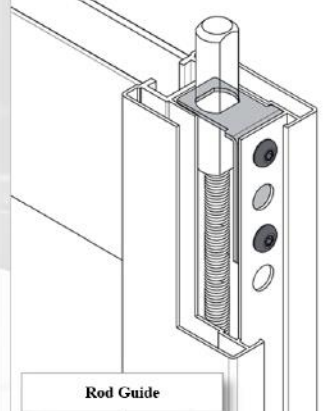

Maximum height: 120" (3048mm)
Maximum width: 60" (1524mm)
 Maximum size of the door is also limited by its maximum weight.
Minimum width: 19 11/16" (500mm)
Maximum weight: 309lbs (140kg)
Inserts: 6-12mm



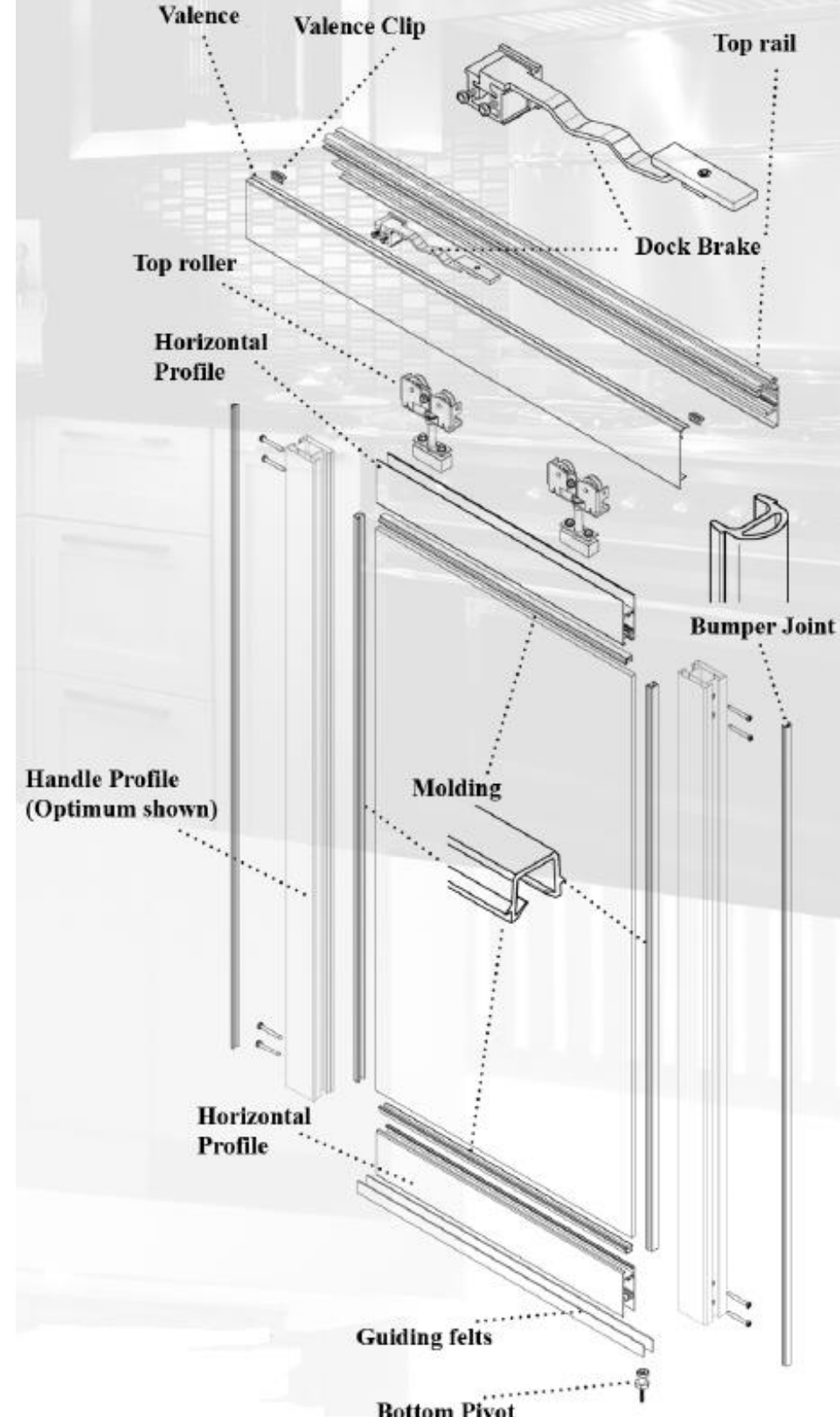
Top rollers
(2 per door)

Scaled ball bearings.
Anti-derailment latch.
Adjustment screw.

Optional Lock (Optimum handle only)
An optional vertical lock system with button or a two key access is available.

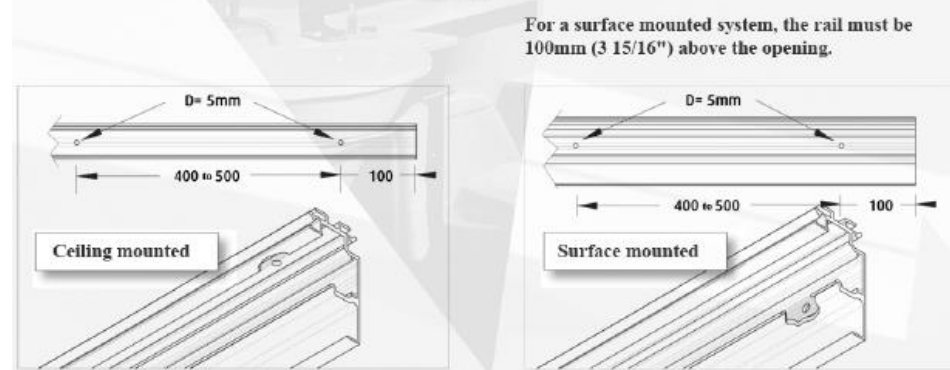
Lock
Rod Guide
Top Rail Latch
Adjustment



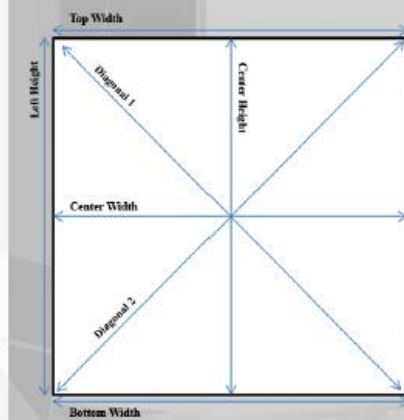
Valence
Valence Clip
Top rail
Dock Brake
Top roller
Horizontal Profile
Bumper Joint
Handle Profile (Optimum shown)
Molding
Horizontal Profile
Guiding felts
Bottom Pivot

KADRIUM SUSPENDED SLIDING DOORS

Drillings for top rail installation.



For a surface mounted system, the rail must be 100mm (3 15/16") above the opening.



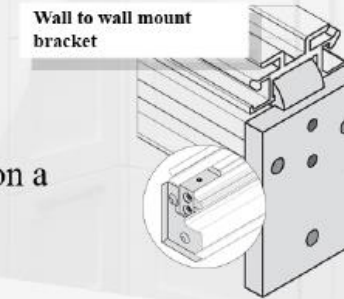
A suspended sliding door system leveled to near perfection ensures maximum quality and enjoyment. Prior to installing (especially in a frame), we strongly recommend to take an 8 point measurement (as per diagram to the left) of your opening with as much precision as possible. Your sliding door system will then be custom-built to perfectly fit your opening.



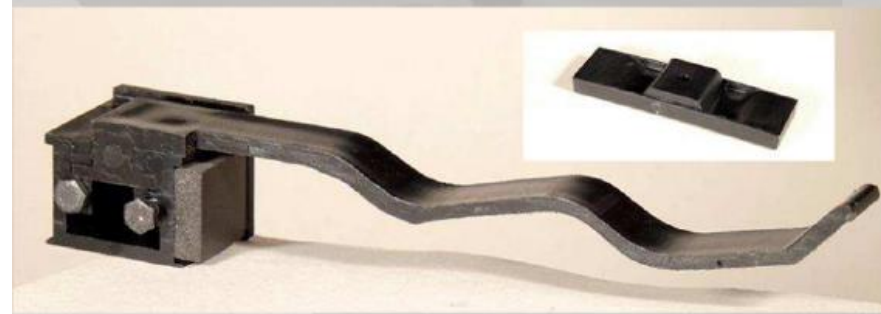
Top Rail

Available only in black finish.

Can be installed in a frame (ceiling mounted), on a wall surface or wall to wall.



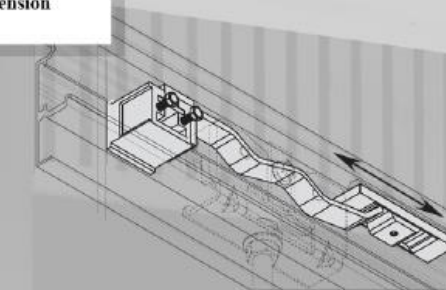
Top rail end-piece



Dock Brake

Docking brake and adjustable tension bar to avoid shocks while opening or closing the sliding doors. Keeps the door in open or closed position.

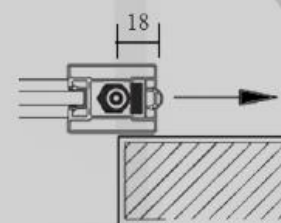
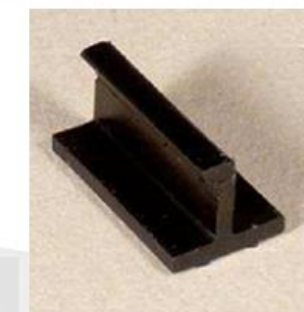
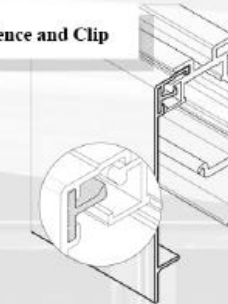
Dock brake tension adjustment



Valence

Easily clips to both sides of the top rail to hide the sliding system. Available in anodized aluminum and lacquered black finishes. Includes a clip per 16" of Valence.

Valence and Clip



Bottom Roller

Replaces the bottom rail.

Installed at 18mm (45/64") centered from the outside edge of the door in closed position.



Guide (left and right)

Fixed to the bottom of the door to stabilize and open many doors in a single motion.



KADRIUM BOTTOM RAIL SLIDING DOORS

Maximum height: 120" (3048mm)
Maximum width: 60" (1524mm)
 Maximum size of door is also limited by its maximum weight.
Minimum width: 19 11/16" (500mm)
Maximum weight: 198lbs (90kg)
Inserts: 6-12mm

Adjustment screw



Rollers (2 per door)

Easy adjustment
Sealed ball bearings

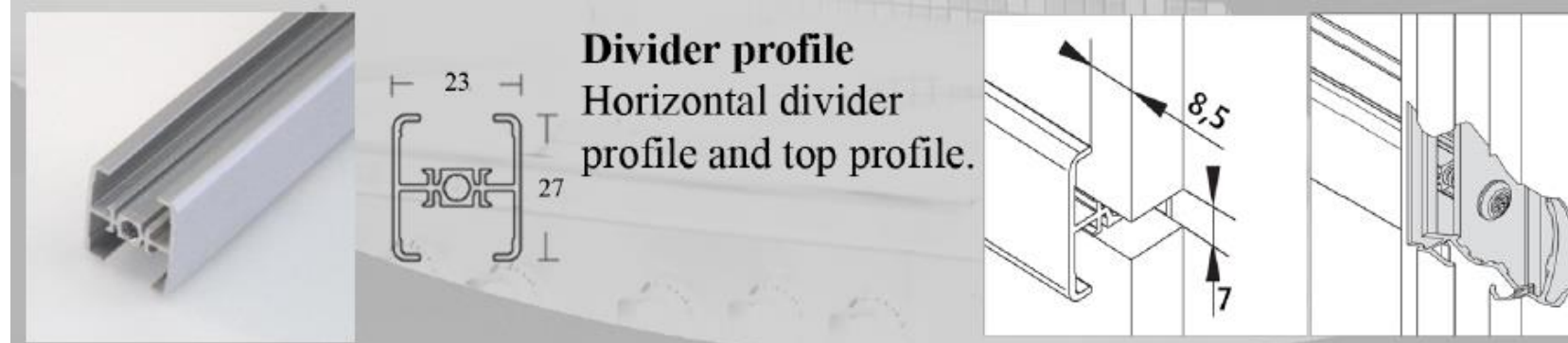


Optimum - Handle profile
Available in anodized aluminum or lacquered black.

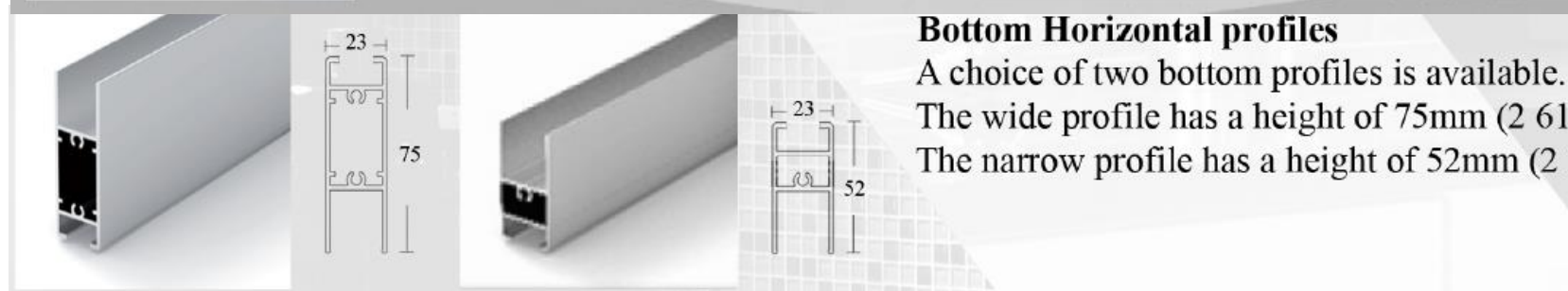
Integrated handle available.



Magnum - Handle Profile
Available in anodized aluminum or lacquered black.

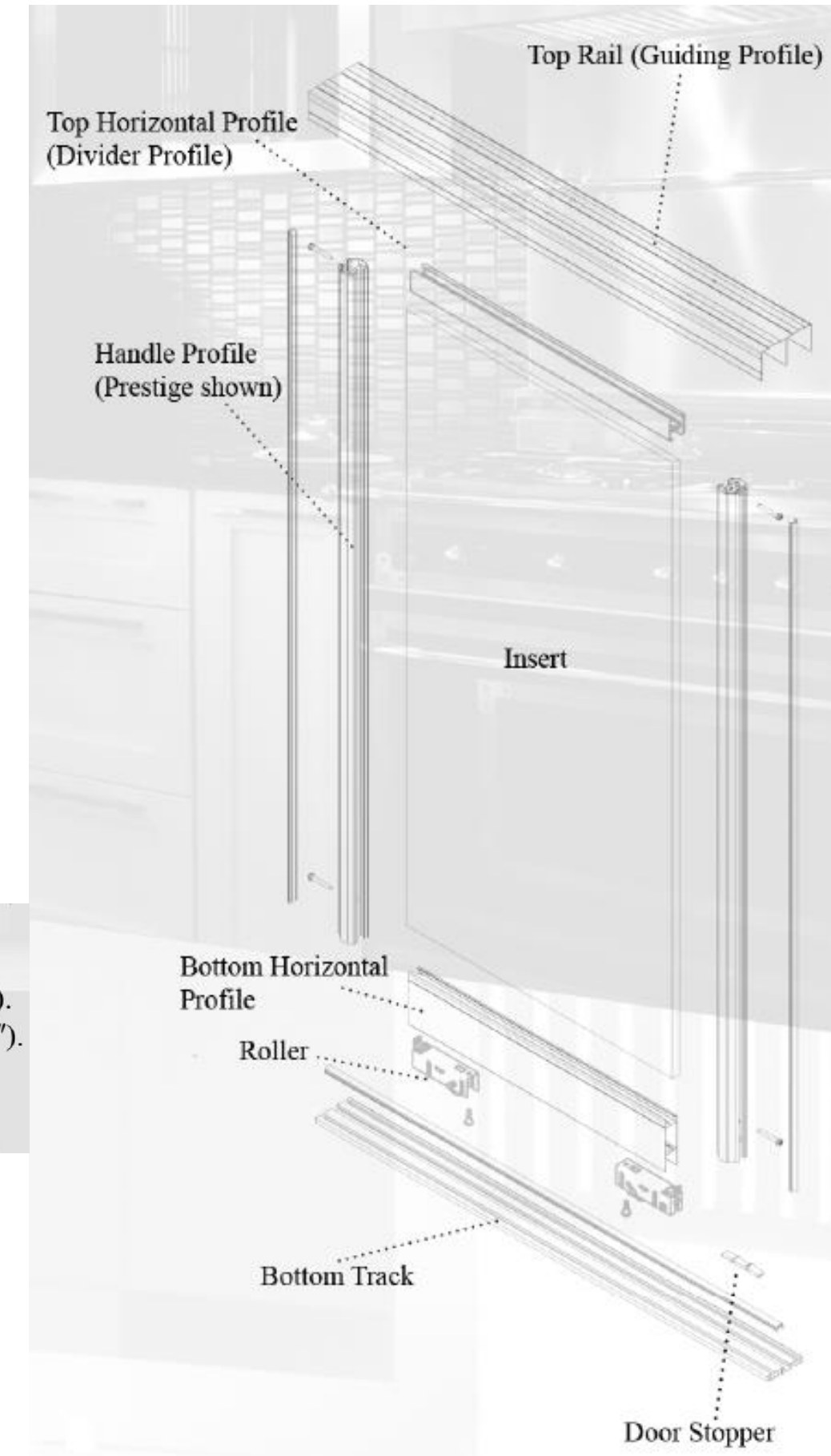


Divider profile
Horizontal divider profile and top profile.



Bottom Horizontal profiles

A choice of two bottom profiles is available.
The wide profile has a height of 75mm (2 61/64").
The narrow profile has a height of 52mm (2 3/64").

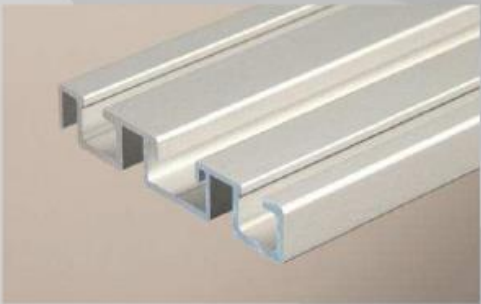


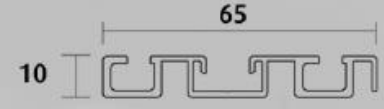
Optional Soft-Close (32" and wider doors)

A magnetic soft-close system can be installed on top of the door to replace the door stoppers.

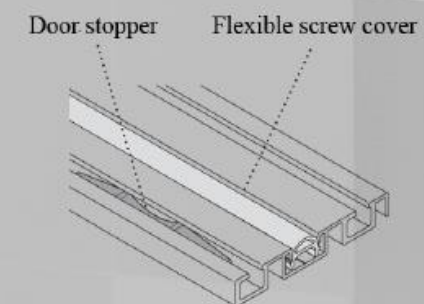


KADRIUM BOTTOM RAIL SLIDING DOORS







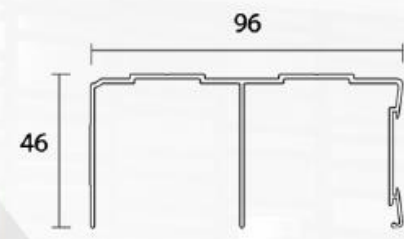
Bottom track
Aluminum double track.
Can be imbeded in the floor.



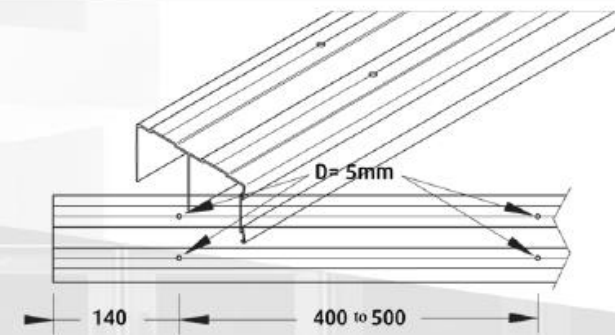
Door stoppers
Holds the door in position.






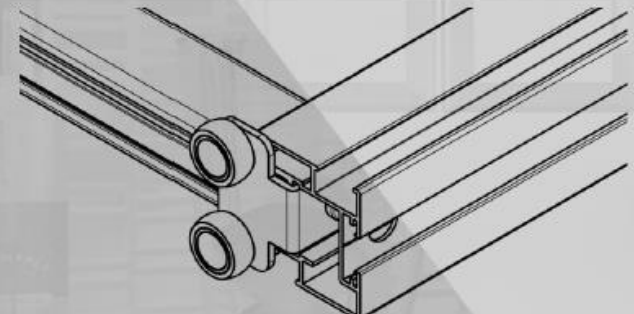


Top guiding profile
Top horizontal profile that encloses and supports the top rollers. May hold a decorative strip.

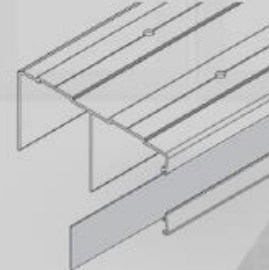


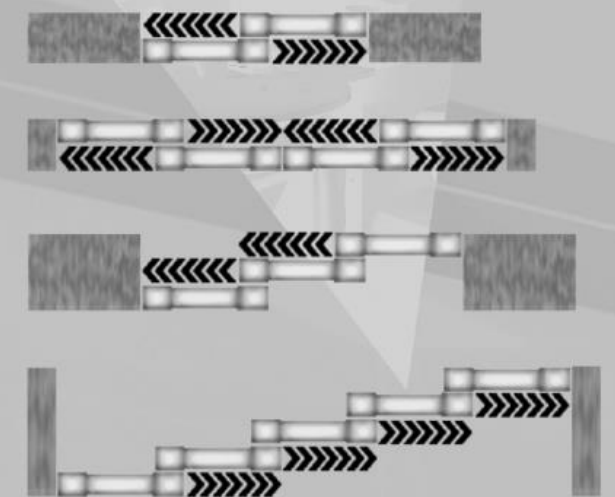


Top rollers
Top rollers are installed on the top horizontal profile.

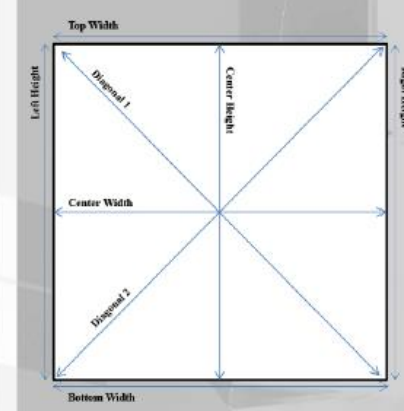


Decorative Strip
Decorative Strip must be 24mm wide and 0.3mm thick.






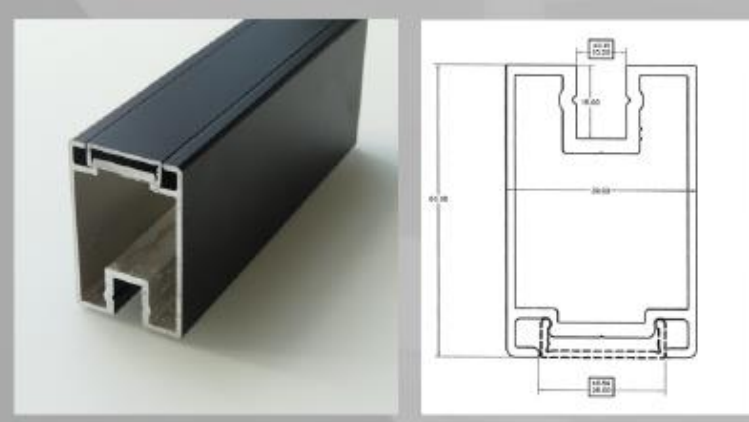
Above are some examples of door opening dispositions. It is possible to have up to 5 doors in a given opening.



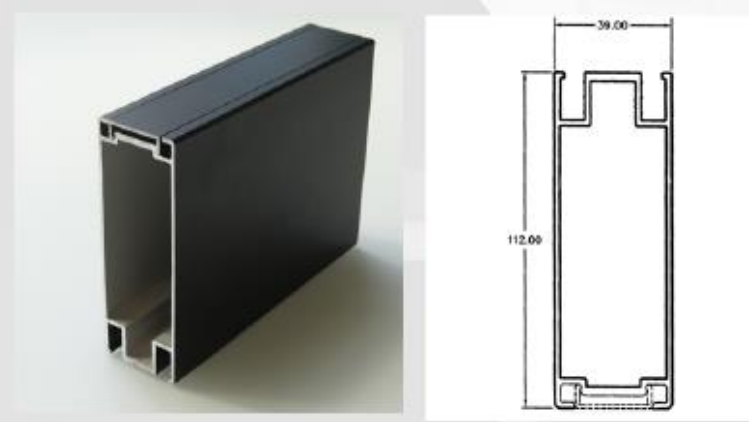
A bottom rail sliding door system leveled to near perfection ensures maximum quality and enjoyment. Prior to installing (especially in a frame), we strongly recommend to take an 8 point measurement (as per diagram to the left) of your opening with as much precision as possible. Your sliding door system will then be custom-built to perfectly fit your opening.



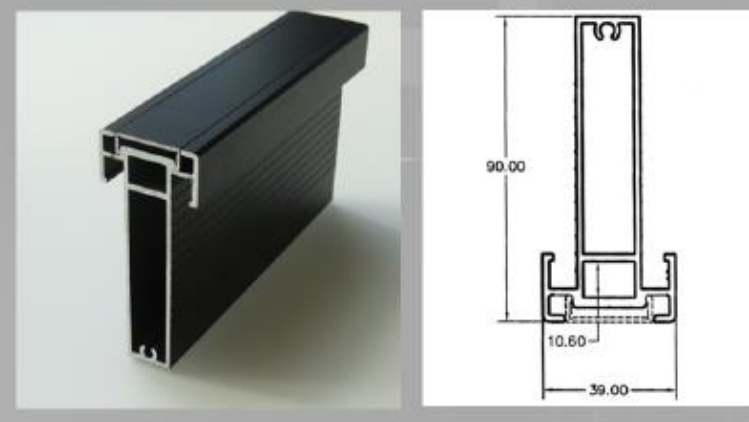
SESAME SUSPENDED SLIDING DOORS



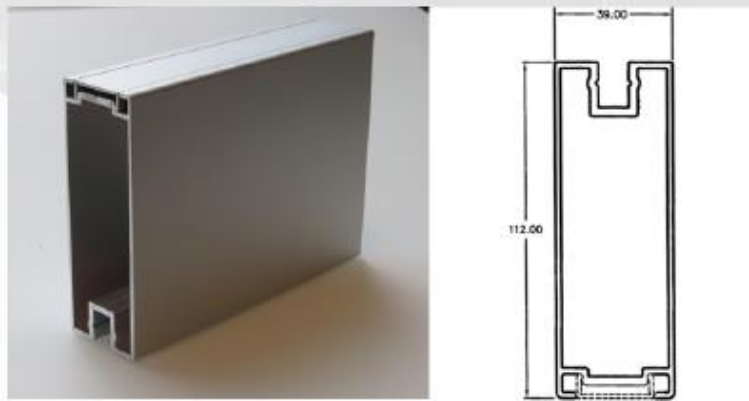
POLYGONE
Width of aluminum profiles: 60 mm
Insert: Panel thickness (1)
 5-9.5 mm



PARALLELE
Width of aluminum profiles:
 112 mm (side)/19 mm (top & bottom)
Inserts (opaque): Panel thickness (2)
 5-6 mm (each)
(possibility of combined different panels on each side/possibility of soundproofing)



PERIMETRE
Width of aluminum profiles: 19 mm
Inserts (opaque): Panel thickness (2)
 5-6 mm (each)
(possibility of combined different panels on each side/possibility of soundproofing)



RECTANGOLO
Width of aluminum profiles:
 112 mm
Insert: Panel thickness (1)
 5-9.5 mm

Max Weight: 220lbs (100kg)

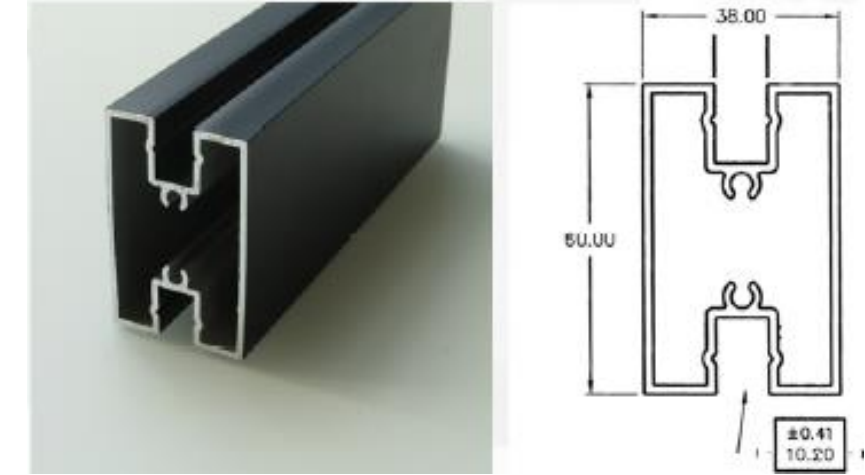
- Finishes:**
- Anodized Grey
 - Anodized Black
 - Option \$: Lacquered (any color)

- Doors Options:**
- Single
 - Double: 1 rail (face-to-face) or 2 rails
 - Triple: 2 rails or 3 rails
 - Quadruple: 2 rails

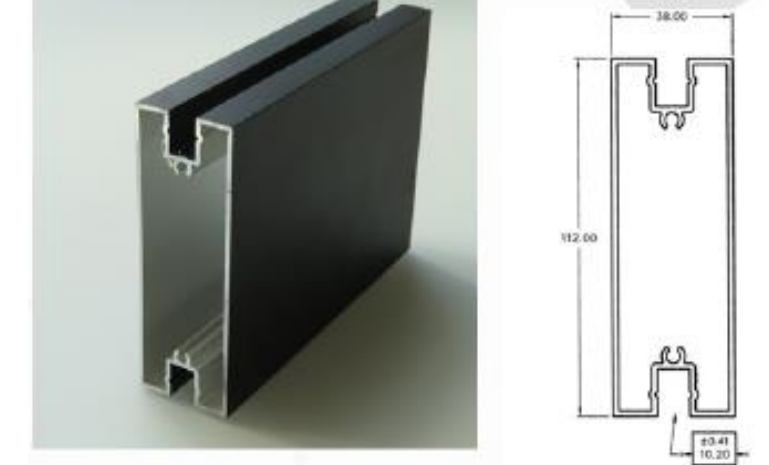
- Hardware:**
- Wall or ceiling installation, on the surface or recessed
 - Rail with regular stops or a soft close at the end position
 - Rolling supports (according to the weight of the panels)
 - Hook bolt mortise lock
 - Floor guide (concealed)
 - Continuous or simultaneous opening (optional)
 - Choice of handles (recessed handle or other)



Divider profile available:



Divider profile available:



DOOR OPENING DISPOSITION



Suspended Systems Only (1-9)

Surface Mounted Doors (1-3)

①

②

③

Pockets Doors (4-6)

④

⑤

⑥

Note: It is recommended to install pocket doors systems before closing the walls.

Semi Surface Mounted Doors (7-9)

⑦

⑧

⑨

Suspended or Bottom Track Systems (10-31)

⑩

⑪

⑫

⑬

⑭

⑮

⑯

⑰

⑱

⑲

⑳

㉑

㉒

㉓

㉔

㉕

㉖

㉗

㉘

㉙

㉚

㉛

⊙ Pivot Right Guide Left Guide

Choose a door design that best suits your space and your needs. Made from high end components, our sliding systems, with their 31 possible dispositions, can cover almost every opening or divide very large spaces.

The arrows indicate the general direction of the doors openings. Note that doors on a bottom track system have no direction restrictions on the rail.

FOLDING DOORS



POCKET DOORS





PIVOT DOORS



SĒSAME

— INTERFØNCTION

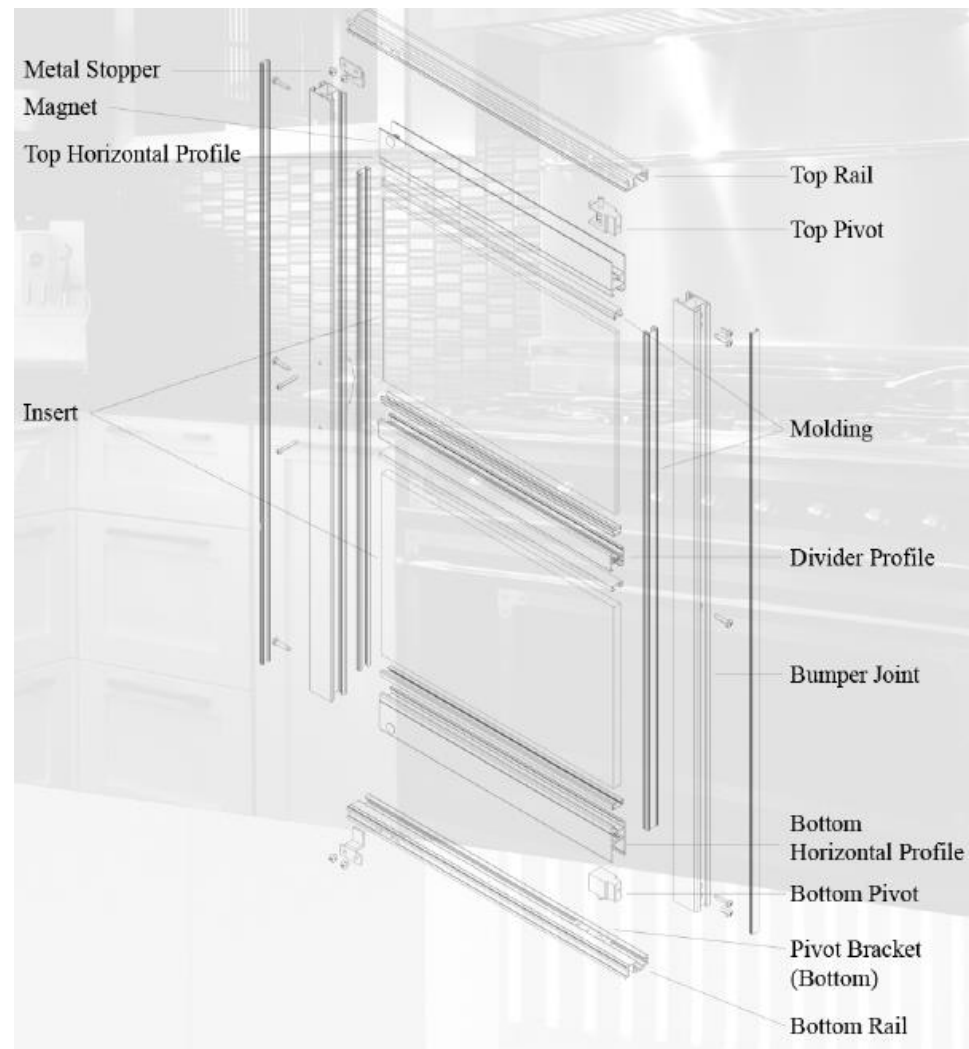


KADRIUM

— INTERFØNCTION



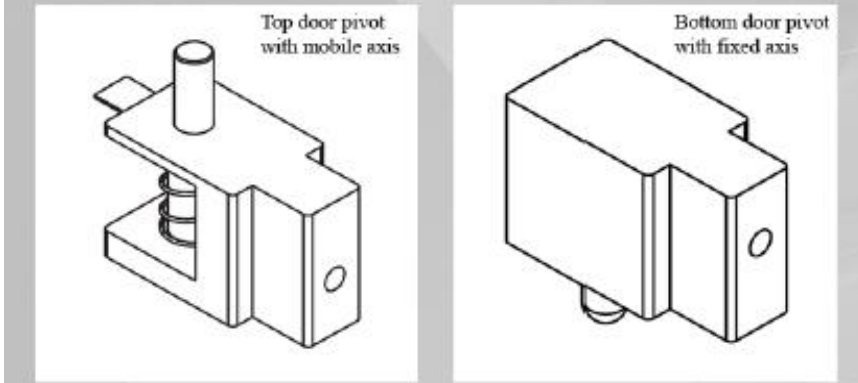
PIVOT DOORS



Max height: 2600mm (102")
Max Width: 750mm (29.5")
Inserts: 6-12mm (0.236"-0.472")

Finishes:
 Anodized aluminum, Lacquered black

Magnetic stopper



Handle Profile
 The vertical profile of the pivot doors.

Horizontal Profile
 The top and bottom horizontal profile of the pivot door.

Top and Bottom Rail
 Top and bottom rail. Installed inside the cabinet's opening. Holds the metal stopper and the pivot brackets in which the door pivots are positioned.

Pivot Bracket (Bottom shown)

Divider Profile
 Horizontal divider profile.

Above are some inserts dispositions examples. Many other are available.

Handle
 An aluminum handle with the exact same finish as the profiles is available. Most standard handles can be installed on the pivot doors.



Magnetic Stopper
 A metal stopper and an integrated magnet keep the pivot doors in closed position.



PIVOT DOORS

**Max Weight: 220lbs
(100kg)**

Finishes:

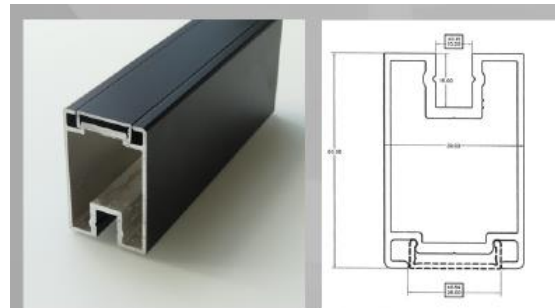
- Anodized Grey
- Anodized Black
- Option \$: Lacquered (any color)

Doors Options:

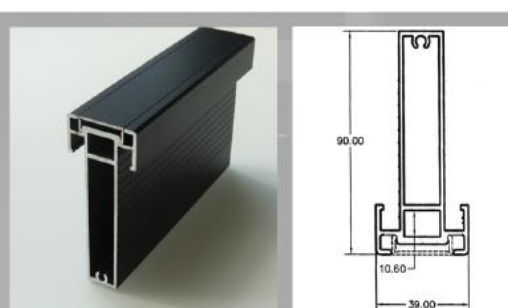
- Centered
- Offset pivot
- Hold system
- Lock

Hardware:

- Two pivots (on the ceiling and on the floor)
- Open from either side
- Magnetic latch
- Custom-made

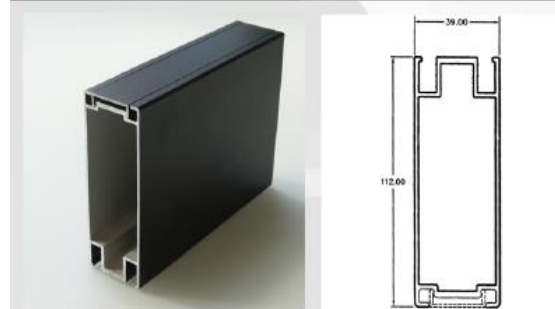
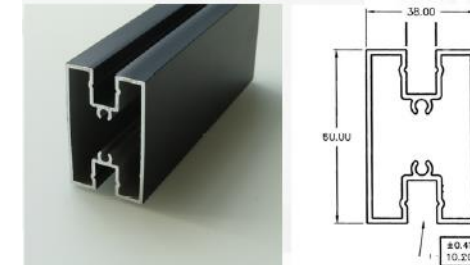


POLYGONE
Width of aluminum profiles: 60 mm
Insert: Panel thickness (1)
4 to 8mm

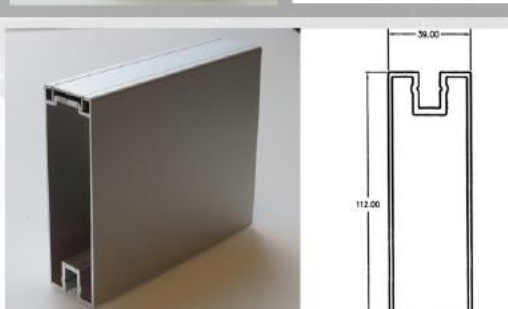


PERIMETRE
Width of aluminum profiles: 19 mm
Inserts (opaque): Panel thickness (2)
4-6 mm (each)
(possibility of combined different panels on each side/possibility of soundproofing)

Divider profile available:

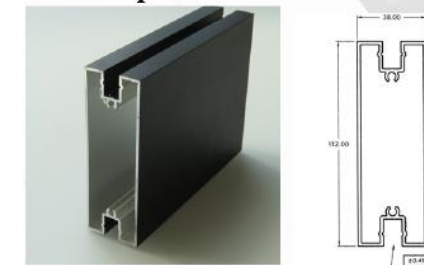


PARALLELE
Width of aluminum profiles:
112 mm (side)/19 mm (top & bottom)
Inserts (opaque): Panel thickness (2)
4-6 mm (each)
(possibility of combined different panels on each side/possibility of soundproofing)



RECTANGOLO
Width of aluminum profiles:
112 mm
Insert: Panel thickness (1)

Divider profile available:



SWINGING DOORS



**Max Weight: 176lbs
(80kg)**

Finishes:

- Anodized Grey
- Anodized Black
- Option \$: Lacquered (any color)

Frame Options:

- HDF
- Flush
- Installation of moldings
- Existing frame

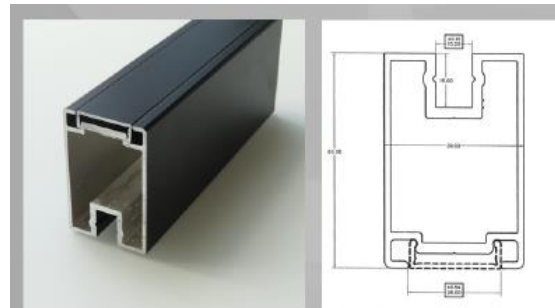
Hardware:

- Sesame Pivot Hinges
- Magnetic Mortise (passage, privacy, keylock or fixed)
- Pull handles with magnetic latch
- Hidden lock
- Astragal
- Door closer
- Automatic door bottom

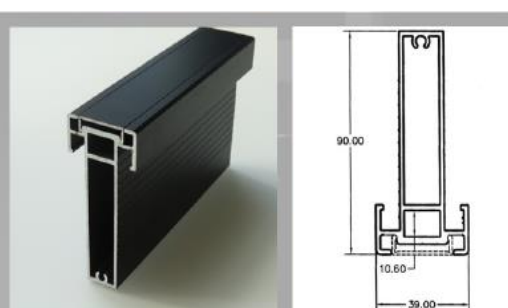
Handle:



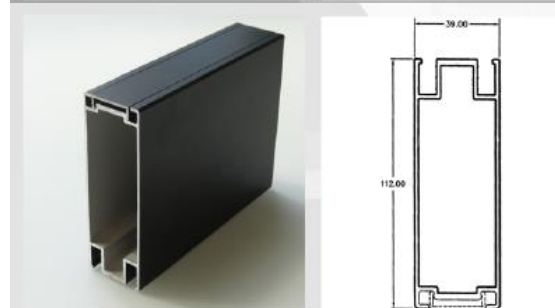
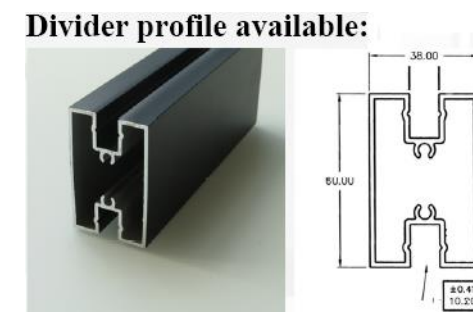
Magnetic Mortise (passage, privacy, keylock or fixed):



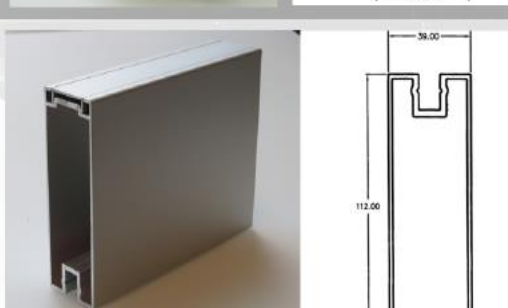
POLYGONE
Width of aluminum profiles: 60 mm
Insert: Panel thickness (1)
 4 to 8mm



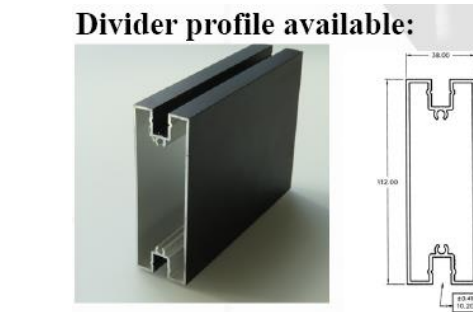
PERIMETRE
Width of aluminum profiles: 19 mm
Inserts (opaque): Panel thickness (2)
 4-6 mm (each)
(possibility of combined different panels on each side/possibility of soundproofing)



PARALLELE
Width of aluminum profiles: 112 mm (side)/19 mm (top & bottom)
Inserts (opaque): Panel thickness (2)
 4-6 mm (each)
(possibility of combined different panels on each side/possibility of soundproofing)



RECTANGOLO
Width of aluminum profiles: 112 mm
Insert: Panel thickness (1)



FIXED ALUMINUM AND GLASS PARTITIONS



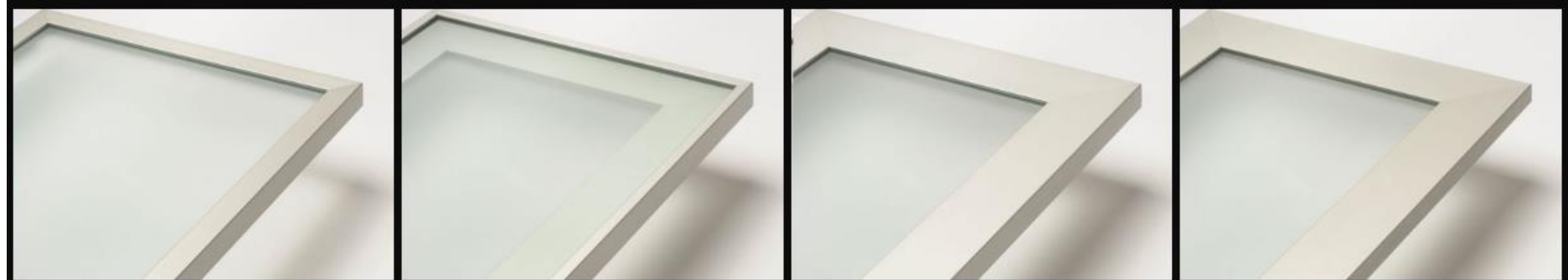
Sometimes to separate, sometimes to connect two living spaces, our interior aluminum and glass partitions are made in Quebec from high quality materials.

Combining contemporary delicacy with modern and industrial aesthetics, our aluminum and glass partitions are customized to your needs and designed for a clean look that is closer to nature and optimizes natural light.





CABINET DOORS – TYPE OF FRAME



INT01

INT03

INT06

INT658



INT12*

INT1258*

INT15*

INT27

Profiles are designed to fit with inserts 3 mm to 5 mm thick. Some profiles are not available for all finishes.

*Opaque inserts only.

CABINET DOORS - ALUMINUM ANODIZED FINISHES



Anodized Grey (AL)

Clear Polished Chrome (CR)

Stainless Steel (SS)



Clear Stainless Steel (SZ)

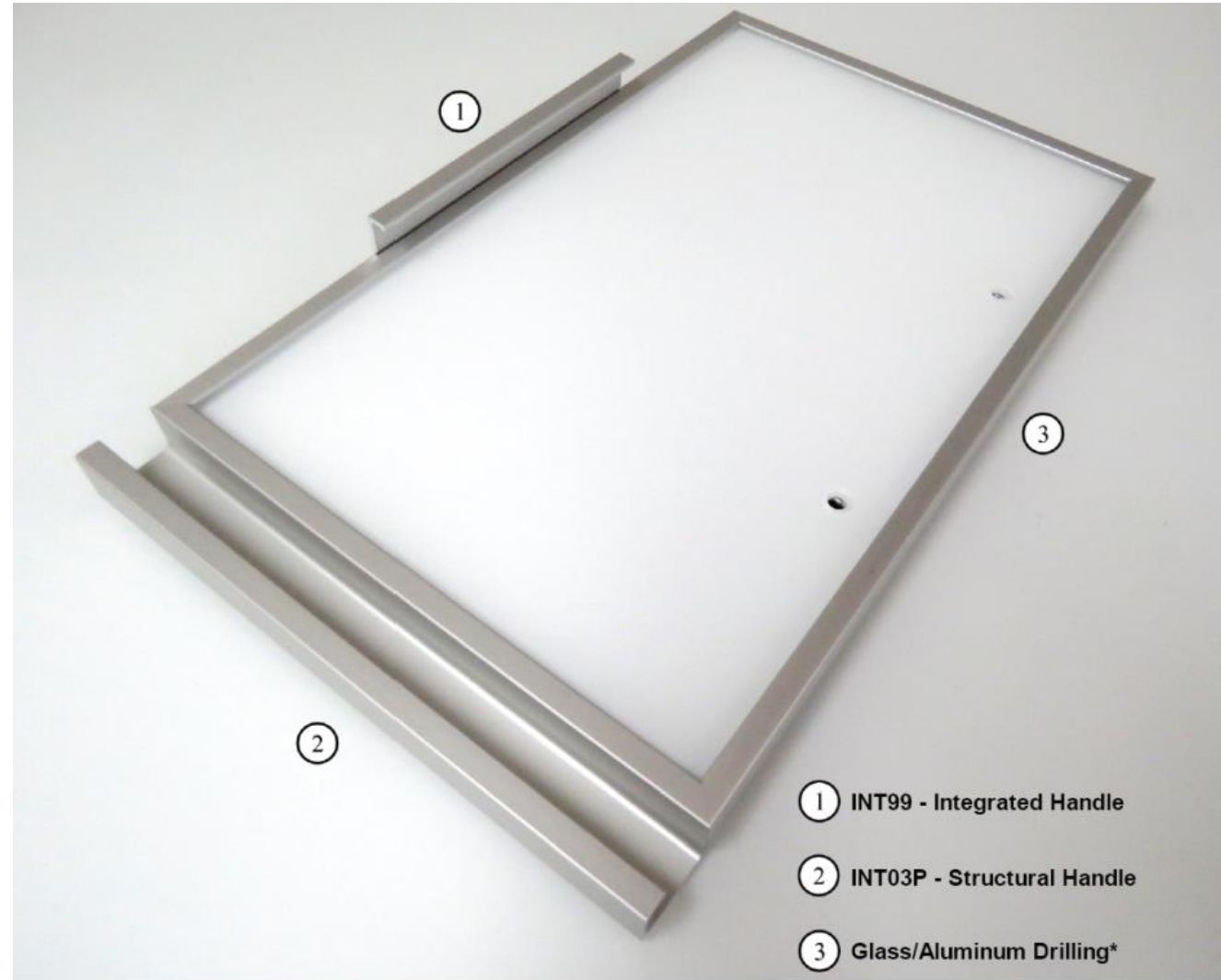
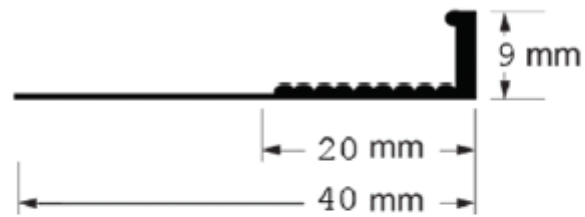
Anodized Black Matte (AB)

Brushed Black (BB)

OPTIONS FOR CABINET DOORS

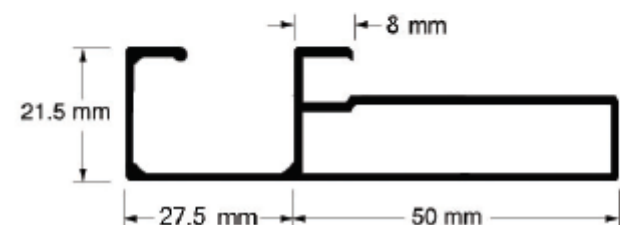
INT99 Integrated Handle

Available with our anodized grey (AL) and stainless steel (SS) profiles, the integrated handle is a stylish alternative to drilling through glass and aluminium.

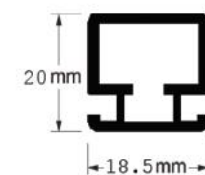


INT03P Structural Handle

A complementary profile for INT03 and INT03SS that provides a solid handle solution.



INT20 Divider Profile



Add style to INT01 and INT06 doors with the addition of dividers. Note that INT20 is only available for anodized grey (AL).



New Built-in Handle: 15P



NEW CABINET DOOR - INT 90

INTERFONCTION



KADRIUM

INTERFONCTION

NEW CABINET DOOR - PLAN.A

INTERFONCTION



KADRIUM

INTERFONCTION

CABINET DOORS - KITCHEN



CABINET DOORS - KITCHEN



KADRIUM

INTERFØNCTION

INTERFØNCTION

CABINET DOORS – OFFICE FURNITURES




KADRIUM
— INTERFØNCTION

— INTERFØNCTION

CABINET DOORS - BATHROOMS



KADRIUM
— INTERFONCTION

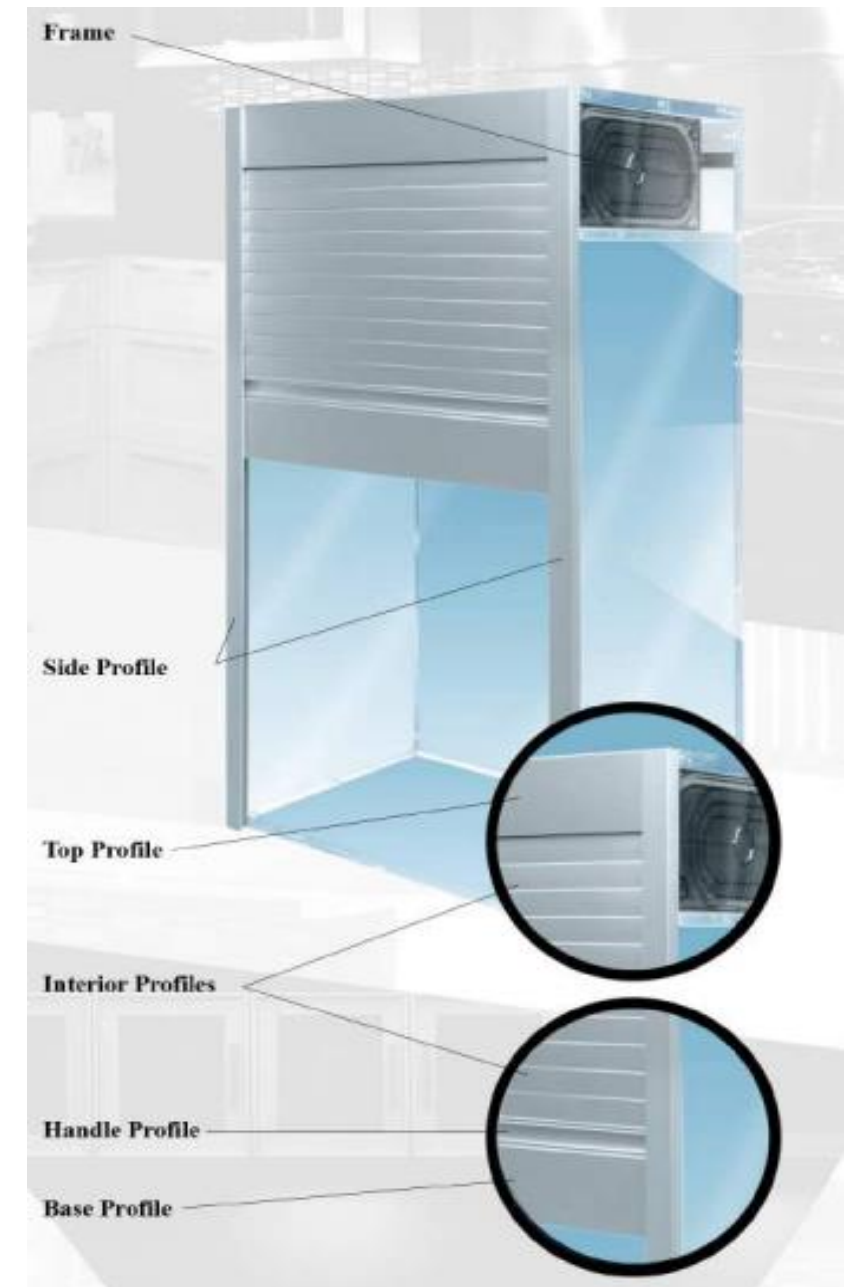
ALUMINUM TAMBOUR DOORS



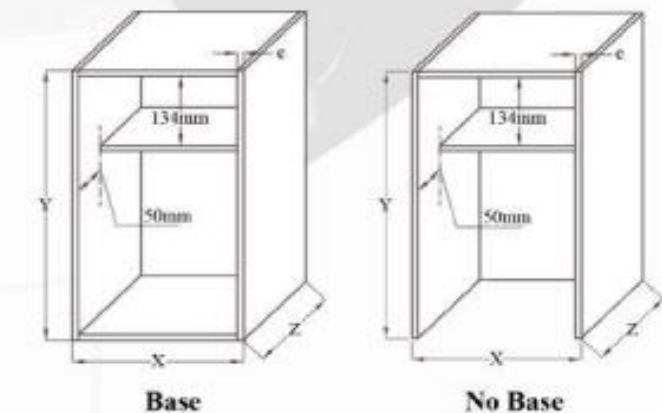
Max. height: 1500mm (59")
Min. height: 508mm (20")*
 * this is the minimum height for a 12" opening.

Max. width: 900mm (35 7/16")
Min. width: 381mm (15")
Min. depth: 300mm (11 13/16")*
 * Minimum cabinet depth necessary to install the tambour door system.

For cabinets with a 5/8" thickness



When ordering Tambour doors, it must be specified if the cabinet is with or without a base. (a box on a countertop, as the picture on the upper left, has no base.)



Frame

The frame is the core of the opening system. It is made of the coiling guides, the counter balance shaft and the frame tube profile.



Counter Balance Shaft

Tambour doors opens smoothly and stays in position, even when partly open, thanks to the Counter Balance Shaft. Available in two types, for doors up to 600mm or up to 900mm wide.



Coiling Guide

The coiling guide insures that the tambour door safely rolls into place when opened.



KADRIUM

INTERFONCTION

ALUMINUM TAMBOUR DOORS



KADRIUM
— INTERFUNCTION



TAMBOUR DOORS



ALUMINUM FINISHES

	Alu SN Satin Natural 2125
	Wind Alu SN Satin Natural 2125
	A2 Standard Stainless Steel 2125
	A2 Wind Acier Inoxidable 2125
	L2 Black Matt 2125
	M4 White Matt 2125

GLASS FINISHED (Special order)





TAMBOUR DOORS

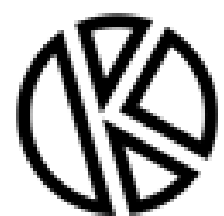


KADRIUM

— INTERFONCTION



TAMBOUR DOORS



KADRIUM
— INTERFONCTION



TAMBOUR DOORS



KADRIUM

— INTERFONCTION

TAMBOUR DOORS



KADRIUM

— INTERFONCTION





TAMBOUR DOORS



KADRIUM
— INTERFØNCTION

ALUMINUM STRUCTURE - KUBX™

Latest product introduced by InterFonction LTD, **KUBX™** is a structure/Furniture in Aluminum which stands out for the finesse of the profiles and the modern look of the structure itself. In addition, this "fine" structure can withstand a very large load. The profiles are only **20mm x 20mm**.

Contact us for more details through our Web Site!
www.kadrium.ca



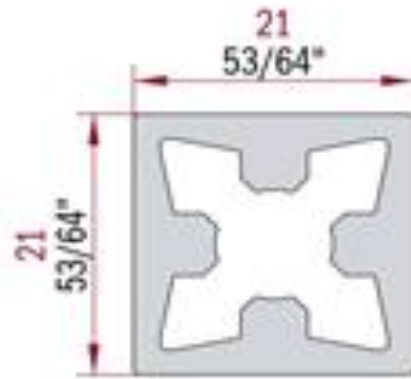
KADRIUM
— INTERFONCTION



KUBX™ : TYPE OF PROFILES

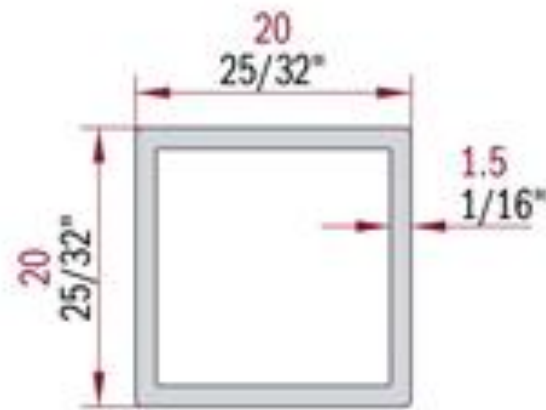
ALUMINUM UPRIGHT PROFILE FOR SHELVING STRUCTURES

V12 Aluminum Black Matt Powder Coated



ALUMINUM LATERAL PROFILE FOR SHELVING STRUCTURES

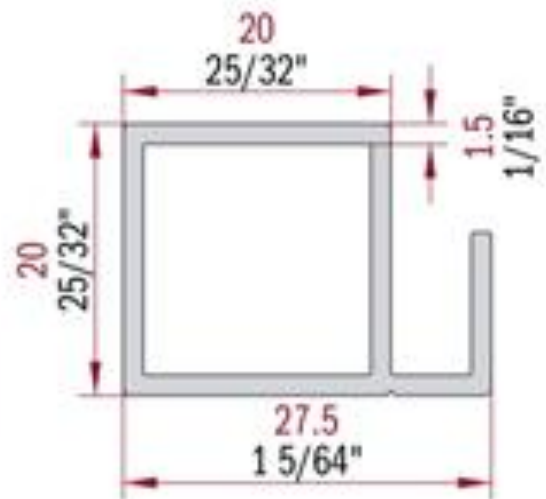
V12 Aluminum Black Matt Powder Coated



ALUMINUM FRONT & REAR PROFILE FOR SHELVING STRUCTURES

For Glass and Wood Shelves

V12 Aluminum Black Matt Powder Coated



KUBX: Key holes (option)



KADRIUM
INTERFØNCTION

KUBX™: SHELVING

Tempered glass
(4 mm or 6mm):
provided by
InterFonction

Wood: Not
provided through
InterFonction



KADRIUM
— INTERFONCTION



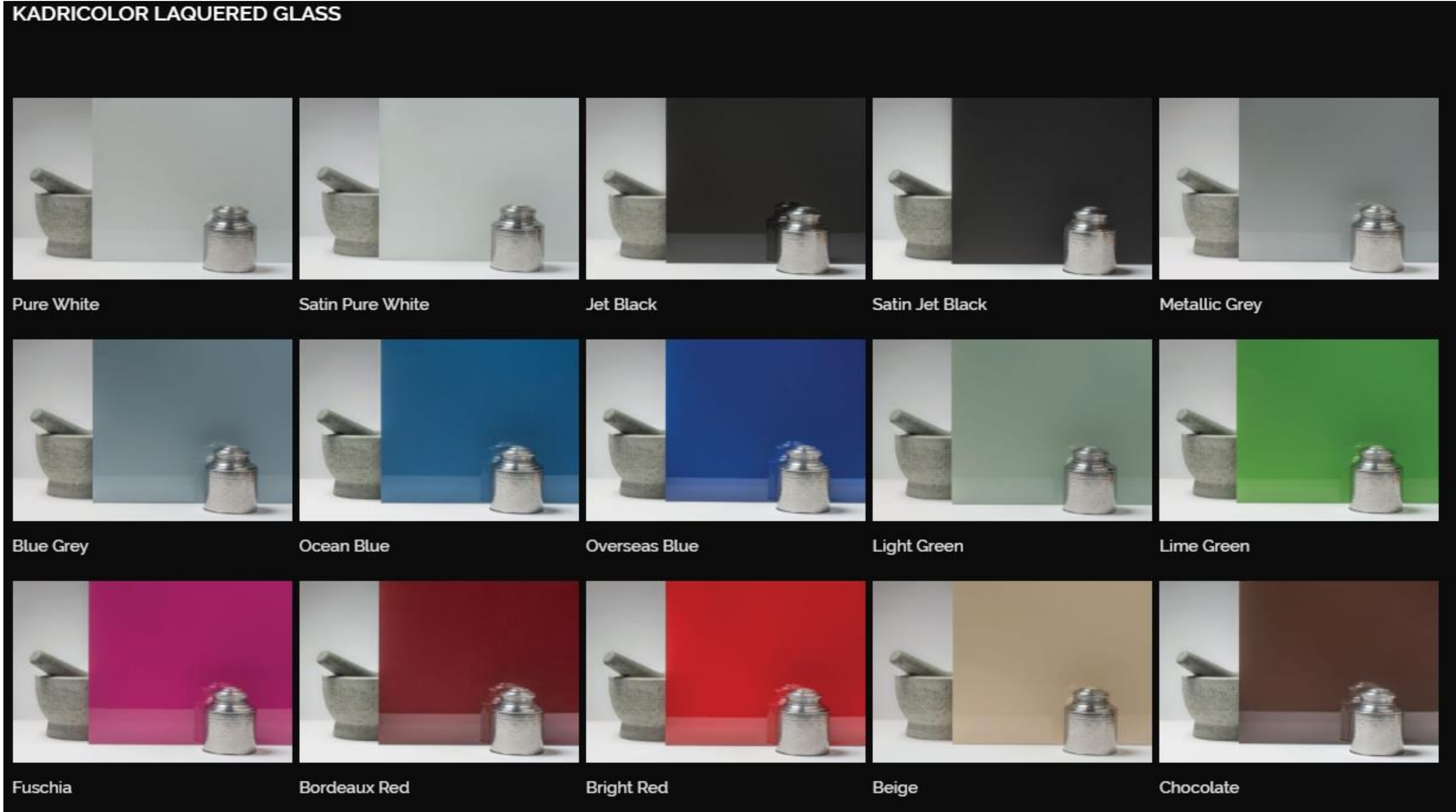








GLASS



Discover our ever-expanding selection of clear, pattern, lacquered and mirror glass that will bring a touch of modernity, style and elegance to your decor. All of our inserts can be secured. Clear and pattern glass can be tempered on demand, while lacquered glass and mirrors are always delivered with a security film.

GLASS

CLEAR, PATTERN AND DECORATIVE GLASS



Clear



Clear Glue Chip



Clear Flutex



Clear Gothic



Clear Satin



Clear Screen



Diamante



Extra-Clear Bicannes



Extra-Clear Linen



Extra-Clear Structure



Galet



Master Square



Mat Delta



Mat Flutex



Satin Plexi

We provide an array of innovative patterns and the ability to choose the best options to transform any interior environment without sacrificing design. The glass texture is found on the inside of the door to facilitate cleaning. In addition, the texture is always in a vertical position. Standard glass thickness is 5/32" (4 mm).

GLASS

CLEAR, PATTERN AND DECORATIVE GLASS



Smoked Grey



Smoked Grey Bicannes



Smoked Grey Linen



Smoked Grey Structure

For a more striking design, our mirror options are ideal for a touch of contemporary or transitional design. All of our mirrors have a safety backing to prevent shattering. Standard glass thickness is 5/32" (4 mm).



Clear



Dark



Satin Bronze



Satin Clear



Satin Grey

QUESTIONS

CONTACT:
SÉBASTIEN FOURNIER

SFOURNIER@INTERFONCTION.COM

514-826-6912



KADRIUM SÈSAME

INTERFONCTION